
SPECIFICATION

OF PRODUCTS

CUSTOMER : _____

PRODUCT NAME: DIELECTRIC ANTENNA ELEMENT

PART NUMBER : TOP-GPSD-1

Approved by	Checked by	Drawn by

Approval Sheet	
Customer	
Supplier P/N	TOP-GPSD-1
Customer P/N	

Customer's Approval Certificate	
Checked & Approval by	
Date	

Please return this copy as a certification of your approval.

1 SCOPE

This specification shall cover the characteristics of the dielectric antenna element with the type DAE1575R2540A.

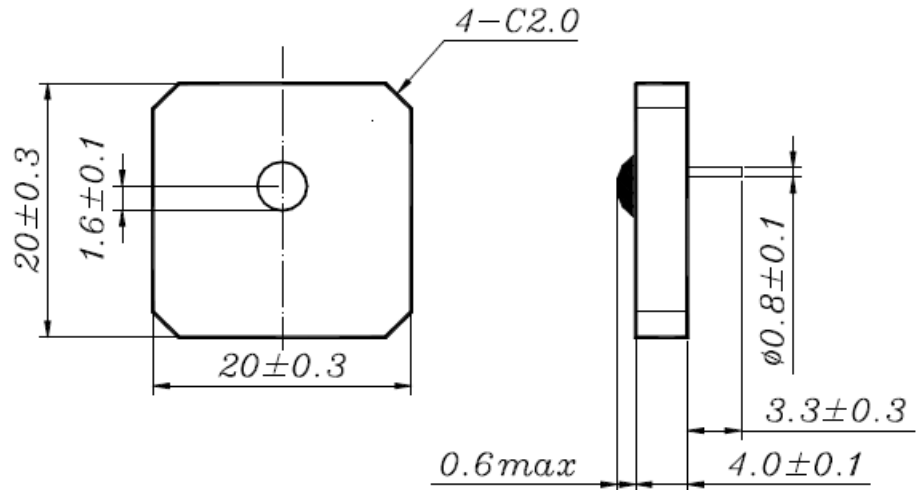
2 PART NO.

PART NUMBER	CUSTOMER PART NO	SPECIFICATION NO
DAE1575R2540A		

3 OUTLINE DRAWING AND DIMENSIONS

3.1 Appearance: No visible damage and dirt.

3.2 Dimensions



4 ELECTRICAL SPECIFICATIONS

4.1 Performance Characteristics

Items	Content
Nominal frequency MHz	1575.42 ± 1.023
*Center frequency MHz	CF ± 3.0
-10dB Bandwidth MHz min	6
Gain (Zenith 90°) dBi min	2.0
VSWR at CF max	1.5
Polarization Model	RHCP
Impedance	50 Ω
Axial Ratio dB max	3.0
Frequency Temperature Coefficient	20ppm/deg.°C max

* Center frequency :-10dB bandwidth center frequency.

TOP ELECTRONIC INDUSTRY CO.,LTD

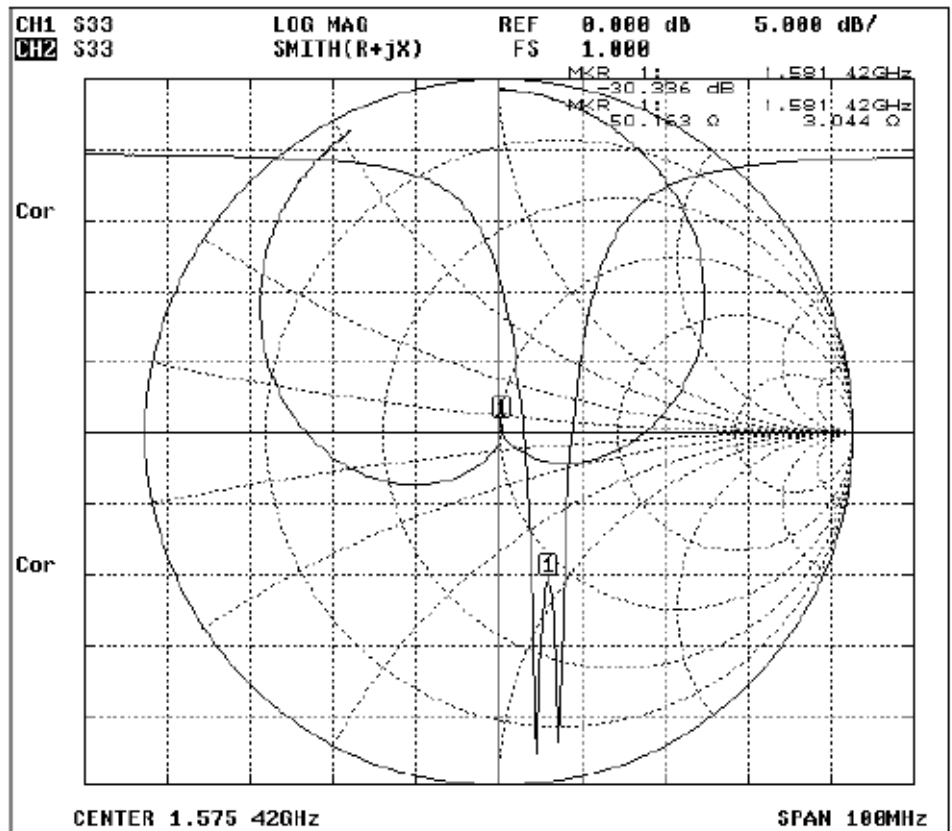
Rm407 27th Bldg,Nanhua Zone,Huaqiangnan,Futian Dist,SZ,GD,China

Tel:+86-755-8281 5110

Fax:+86-755-8281 5220

Web: www.topecind.com

4.2 Impedance Characteristic



5 TEST

5.1 Test Conditions

Parts shall be measured under a condition (Temp.: $20^{\circ}\text{C}\pm 15^{\circ}\text{C}$, Humidity : $65\%\pm 20\%$ R.H.).

5.2 Test Jig

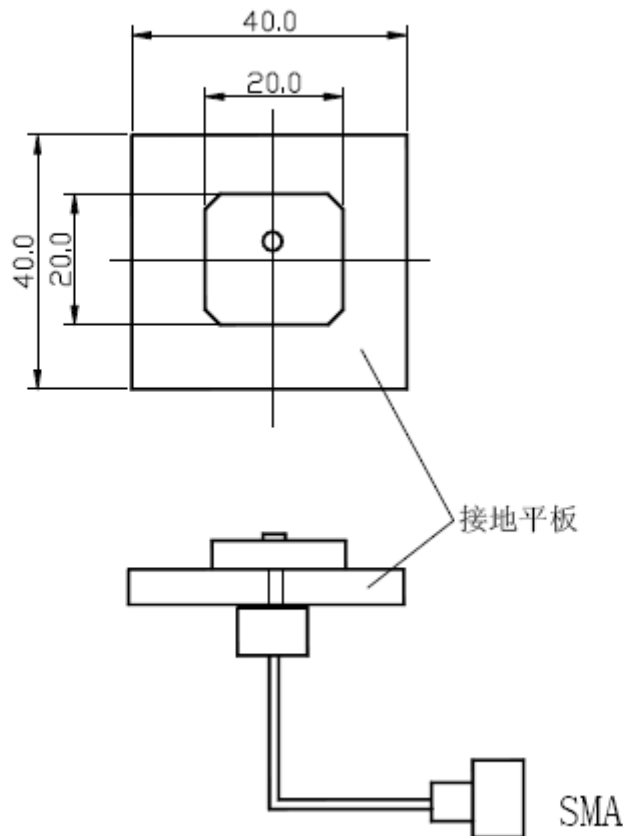
TOP ELECTRONIC INDUSTRY CO.,LTD

Rm407 27th Bldg,Nanhua Zone,Huaqiangnan,Futian Dist,SZ,GD,China

Tel:+86-755-8281 5110

Fax:+86-755-8281 5220

Web: www.topecind.com



6 ENVIRONMENTAL TEST

No.	Item	Test Condition	Remark
6.1	Humidity Test	The device is subjected to 90%~95% relative humidity $60^{\circ}\text{C} \pm 3^{\circ}\text{C}$ for 96h~98h, then dry out at $25^{\circ}\text{C} \pm 5^{\circ}\text{C}$ and less than 65% relative humidity for 2h~4h. After dry out the device shall satisfy the specification in table 1.	It shall fulfill the specifications in Table 1.
6.2	High Temperature Exposure	The device shall satisfy the specification in table 1 after leaving at 105°C for 96h~98h, provided it would be measured after 2h~4h leaving in $25^{\circ}\text{C} \pm 5^{\circ}\text{C}$ and less than 65% relative humidity.	It shall fulfill the specifications in Table 1.
6.3	Low Temperature	The device shall satisfy the specification in table 1 after leaving at -40°C for 96h~98h, provided it would be measured after 2h~4h leaving in $25^{\circ}\text{C} \pm 5^{\circ}\text{C}$ and less than 65% relative humidity.	It shall fulfill the specifications in Table 1.

TOP ELECTRONIC INDUSTRY CO.,LTD

Rm407 27th Bldg, Nanhua Zone, Huaqiangnan, Futian Dist, SZ, GD, China

Tel: +86-755-8281 5110

Fax: +86-755-8281 5220

Web: www.topelecind.com

6.4	Temperature Cycle	Subject the device to -40 °C for 30 min. followed by a high temperature of 105°C for 30 min cycling shall be repeated 5 times. At the room temperature for 1h prior to the measurement.	It shall fulfill the specifications in Table 1.
6.5	Vibration	Subject the device to vibration for 2h each in x、y and z axis with the amplitude of 1.5mm, the frequency shall be varied uniformly between the limits of 10Hz~55Hz.	It shall fulfill the specifications in Table 1.
6.6	Soldering Test	Lead terminals are heated up to 350°C ± 10°C for 5s ± 0.5 s with brand iron and then element shall be measured after being placed in natural conditions for 1 h. No visible damage and it shall fulfill the specifications in Table 1	It shall fulfill the specifications in Table 1.
6.7	Solder ability	Lead terminals are immersed in soldering bath of 260°C~290°C for 3s ± 0.5s . More than 95% of the terminal surface of the device shall be covered with fresh solder.	The terminals shall be at least 95% covered by solder.
6.8	Terminal Pressure Strength	Force of 2kg is applied to each lead in axial direction for 10s ± 1 s (see drawing). No visible damage and it shall fulfill the specifications in Fig 1	Mechanical damage such as breaks shall not occur.

FIG 1

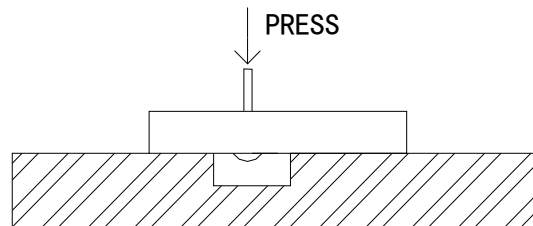


TABLE 1

Item	Specification After Test (MHz)
Center Frequency change	± 2.0
-10dB Bandwidth Change	± 2.0

7. OTHER

7.1 Caution of use

7.1.1 Please don't apply excess mechanical stress to the component and terminals at soldering.

7.1.2 The component may be damaged when an excess stress will be applied.

7.1.3 This specification mentions the quality of the component as a single unit. Please insure the component is thoroughly evaluated in your application circuit.

7.2 Notice

7.2.1 Please return one of this specification after your signature of acceptance.

7.2.2 When something gets doubtful with this specification, we shall jointly work to get an agreement.

TOP ELECTRONIC INDUSTRY CO.,LTD

Rm407 27th Bldg,Nanhua Zone,Huaqiangnan,Futian Dist,SZ,GD,China

Tel:+86-755-8281 5110

Fax:+86-755-8281 5220

Web: www.topecind.com